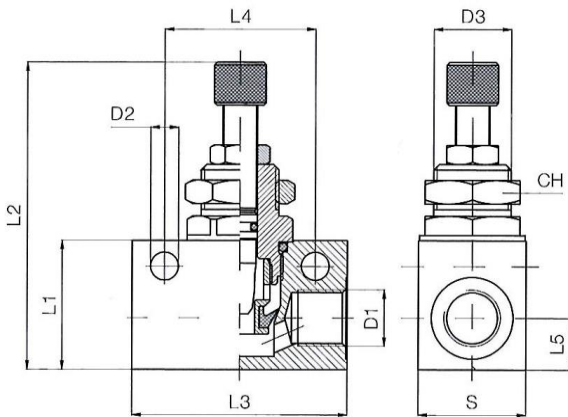
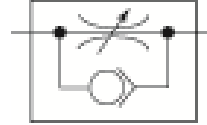


Unidirectional flow control valve, restricted in the flow direction, free passage in the opposite direction.



Body: Stainless steel 1.4404
Valve trim: Stainless steel 1.4404
Seal: FPM
Operating pressure: Max. 10.0 bar
Operating temperature: 0 °C to +150 °C

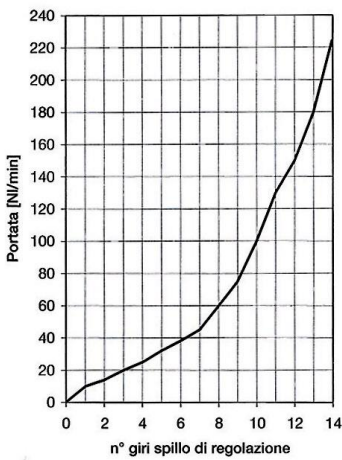


ES 225.34

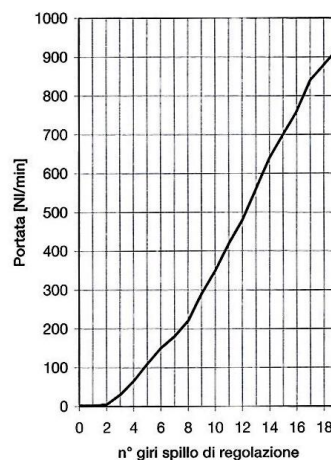
Unidirectional flow control valves, stainless steel

Art. No.	Ident No.	D ₁	D ₂	D ₃	L ₁	L _{2max}	L ₃	L ₄	L ₅	S	CH	Weight g
ES 225.33	103807	1/8	4.5	M12x0.75	20.0	56.0	34.0	24.0	7.5	15.0	14	74.0
ES 225.34	103808	1/4	5.5	M18x1.5	30.0	75.0	50.0	35.0	12.0	25.0	22	160.0

Flow rate:



1/8



1/4